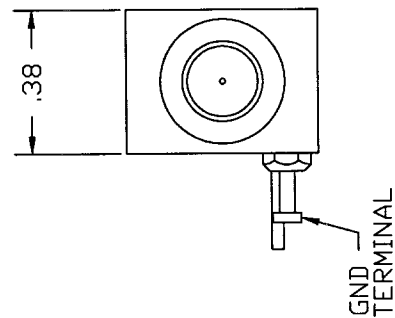
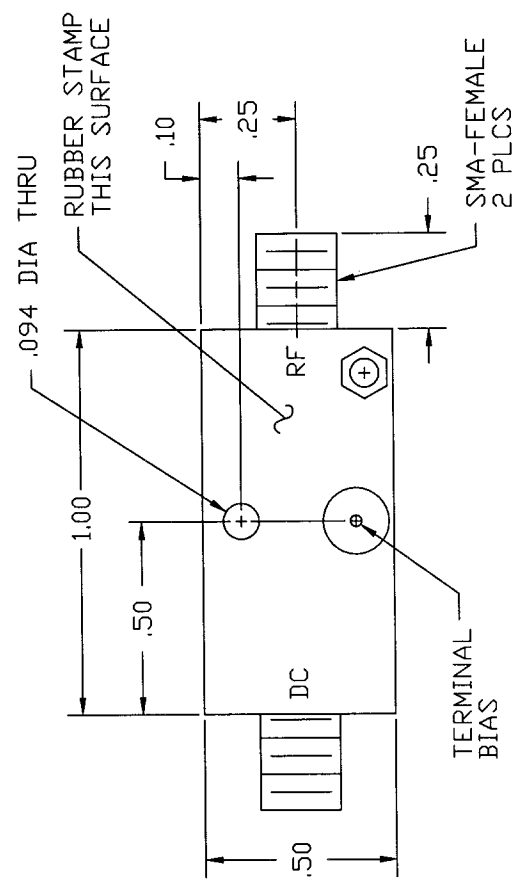


REVISIONS		
REV.	DESCRIPTION	DATE
INC	INITIAL RELEASE	



SPECIFICATIONS

FREQUENCY RANGE: 0.1 TO 26.5 GHz

VSWR: 1.6:1 MAX

INSERTION LOSS: 1.30 dB MAX

DC: DC COUPLED TO BIAS PORT

RF: AC COUPLED TO DC PORT

DC VOLTAGE (MAX): 50V

DC CURRENT (MAX): 400 mA

QTY FSCM RECD NO.		PART OR IDENTIFYING NO.		NOMENCLATURE OR DESCRIPTION		MATERIAL SPECIFICATION	
PARTS LIST							
FRACTIONS DECIMALS ANGLES XXX.XX ± .XXX±.010 ±				APPROVALS		DATE	
MATERIAL				DRAWN			
FINISH				CHECKED			
NEXT ASSY				ISSUED			
SM41244 USED ON						SIERRA MICROWAVE TECHNOLOGY	
APPLICATION				OUTLINE FOR SM41244		REV. 305-0199-001	
				SIZE FSCM NO. 1CY63		DWG. NO. 305-0199-001	
				SCALE		SHEET	